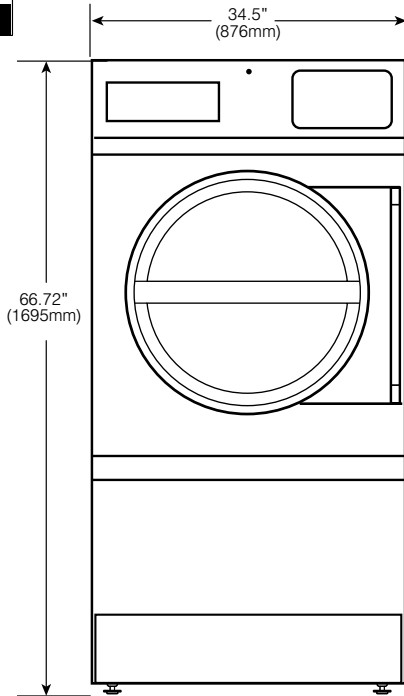
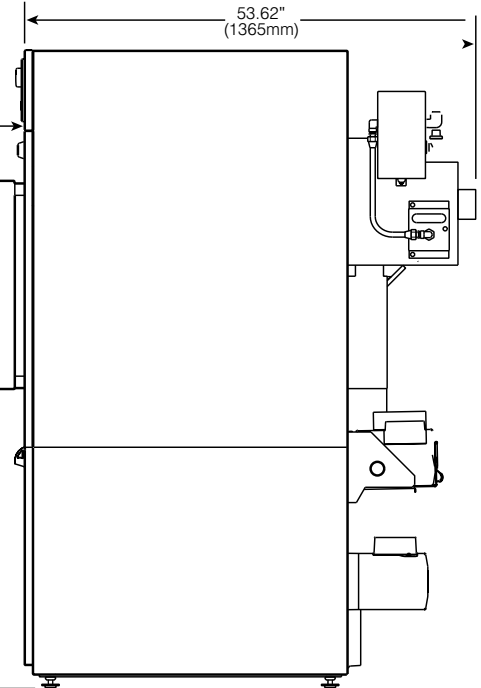
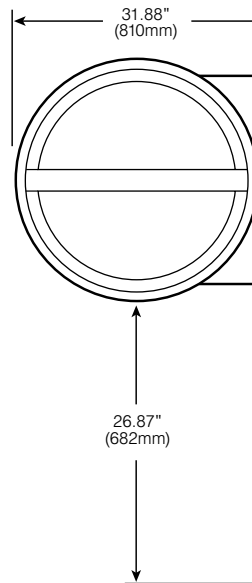


# CG55-65

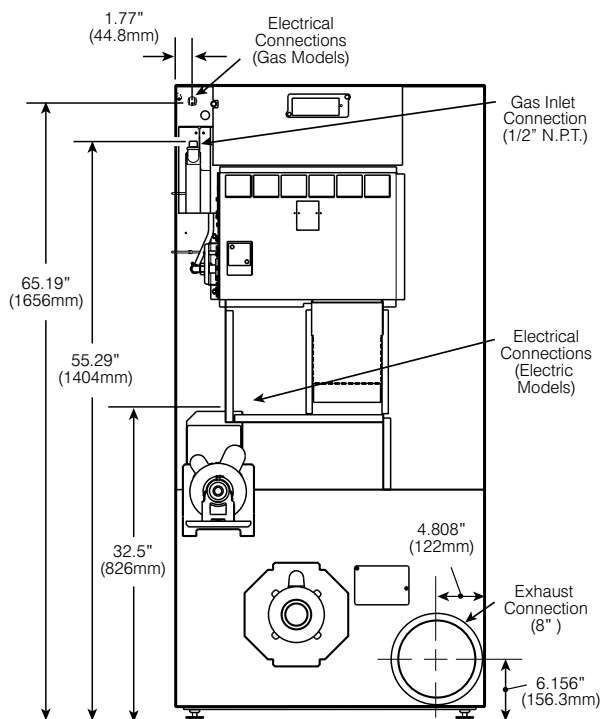
PRO-SERIES II DRYING TUMBLER



FRONT VIEW



SIDE VIEW



REAR VIEW

# CG55-65 PRO-SERIES II DRYING TUMBLER PRODUCT SPECIFICATIONS

Capacity <i>lbs</i>	up to 65
Cylinder Diameter <i>inch (mm)</i>	33 (838)
Cylinder Depth <i>inch (mm)</i>	35 (889)
Cylinder Volume <i>cu ft (dm<sup>3</sup>)</i>	17.3 (0.49)
Net Weight <i>lbs (kg)</i>	435 (197)
Crated Weight* <i>lbs (kg)</i>	476 (216)
Machine Width <i>inch (mm)</i>	34.5 (876)
Machine Depth <i>inch (mm)</i>	53.62 (1362)
Machine Height <i>inch (mm)</i>	66.72 (1695)
Door Opening <i>inch (mm)</i>	26.89 (683)
Floor to Door <i>inch (mm)</i>	26.87 (682)
Shipping Dimensions <i>inch (mm)</i> (WxDxH)	35.5 x 59 x 72 (902 x 1499 x 1829)
Motor Power <i>Hp (kW)</i>	2 @ 1/2 (2 @ 0.37)
Reversing Motor Power <i>Hp (kW)</i>	2 @ 1/4 (2 @ 0.19)
Exhaust Diameter <i>inch (mm)</i>	8 (203)
Exhaust Air Flow <i>cfm (l/s)</i>	700 (330)
Electric Heating <i>kW</i>	27
Gas Connection <i>inch</i>	1/2 N.P.T.
Gas Heating <i>BTU/h (Kcal/h)</i>	112,000 (28,224)
Available Voltages/Wire Conductor/Amp Gas	120/60/1, 1W + N + G, 9.2 208-240/60/1, 2W + N + G, 6.5 200-208/60/3, 3W + G, 4.0 240/60/3, 3W + G, 3.9
Electric	200/60/1, 1W + N + G, 122 208/60/1, 2W + N + G, 129 240/60/1, 2W + N + G, 115 200-208/60/3, 3W + G, 79 240/60/3, 3W + G, 65

\* Crated weights for international shipping not listed. Contact Continental Girbau for details.

\*\* Specifications subject to change without notice or obligation. Call Continental Girbau, Inc for dimensions not shown or for clarification.