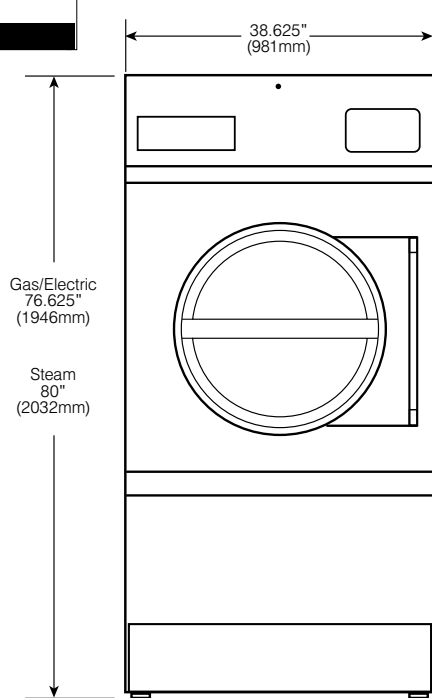
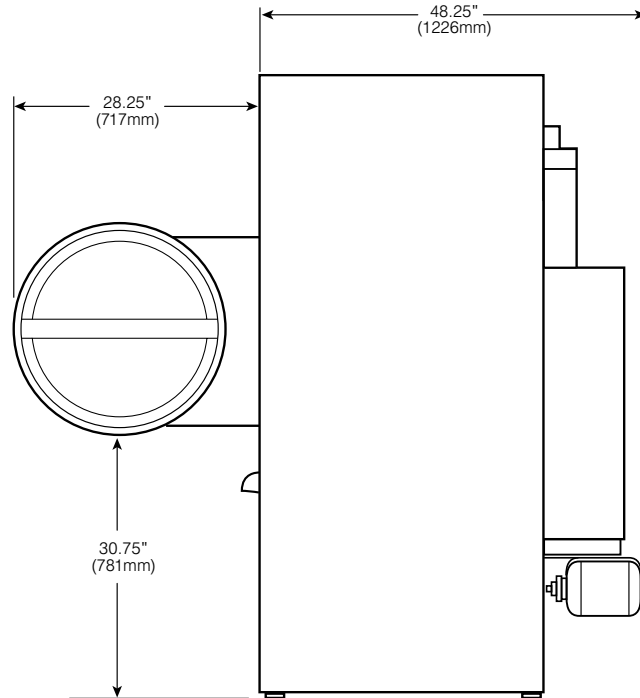


CG50-60

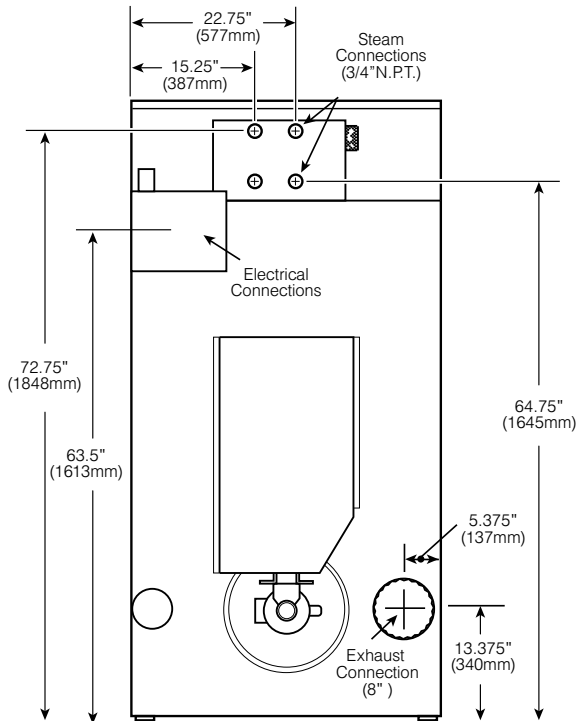
PRO-SERIES II DRYING TUMBLER



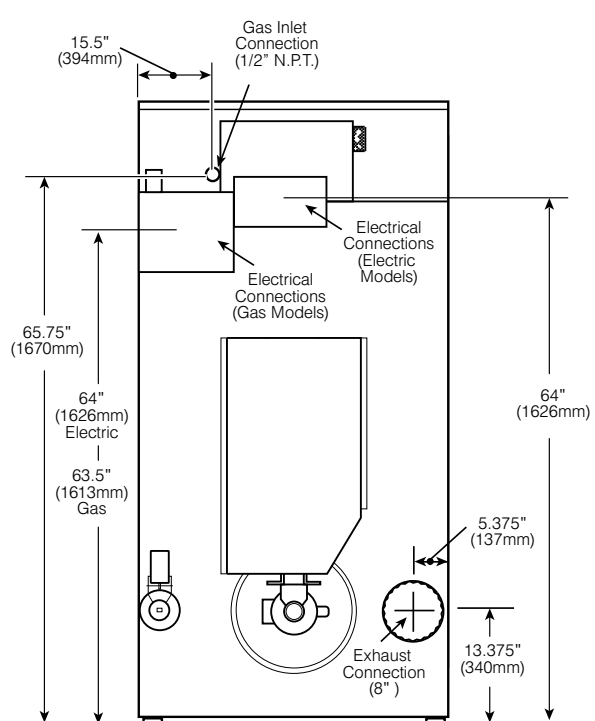
FRONT VIEW



SIDE VIEW



REAR VIEW (Steam Models)



REAR VIEW (Gas and Electric Models)

CG50-60 PRO-SERIES II DRYING TUMBLER PRODUCT SPECIFICATIONS

Capacity <i>lbs</i>	up to 60
Cylinder Diameter <i>inch (mm)</i>	37 (940)
Cylinder Depth <i>inch (mm)</i>	30 (762)
Cylinder Volume <i>cu ft (dm³)</i>	18.6 (0.53)
Net Weight <i>lbs (kg)</i>	545 (247)
Crated Weight* <i>lbs (kg)</i>	602 (273)
Machine Width <i>inch (mm)</i>	38.62 (981)
Machine Depth <i>inch (mm)</i>	48.25 (1226)
Machine Height <i>inch (mm)</i>	
Gas/Electric	76.62 (1946)
Steam	80 (2032)
Door Opening <i>inch (mm)</i>	26.89 (683)
Floor to Door <i>inch (mm)</i>	30.75 (781)
Shipping Dimensions <i>inch (mm)</i> (WxDxH)	41.5 x 52.1 x 81 (1054 x 1323 x 2057)
Motor Power <i>Hp (kW)</i>	1/2 (0.37)
Reversing Motor Power <i>Hp (kW)</i>	2 @ 1/3 (2 @ 0.25)
Exhaust Diameter <i>inch (mm)</i>	8 (203)
Exhaust Air Flow <i>cfm (l/s)</i>	750 (354)
Electric Heating <i>kW</i>	30
Gas Connection <i>inch</i>	1/2 N.P.T.
Gas Heating <i>BTU/h (Kcal/h)</i>	130,000 (32,760)
Steam Connection <i>inch</i>	3/4 N.P.T.
Steam Heating <i>BTU/h (kW)</i> at 100 PSI (6.9 bar)	177,500 (52)
BHP Consumption <i>BHP</i> at 100 PSI (6.9 bar)	5.1
Available Voltages/Wire Conductor/Amp (Rev Amp)	
Gas/Steam	120/60/1, 1W + N + G, 9.3 200-208/240/60/1, 2W + G, 5.1 200-208/240/60/3, 3W + G, 2.8 (4.0) 440/60/3, 3W + G, 1.9 (2.1) (steam only) 460-480/60/3, 3W + G, 1.4 (1.9)
Electric	200-208/60/3, 3W + G, 89 (88) 240/60/3, 3W + G, 79 (78) 440/60/3, 3W + G, 41 (41) 480/60/3, 3W + G, 38 (38)

* Crated weights for international shipping not listed. Contact Continental Girbau for details.

** Specifications subject to change without notice or obligation. Call Continental Girbau, Inc for dimensions not shown or for clarification.