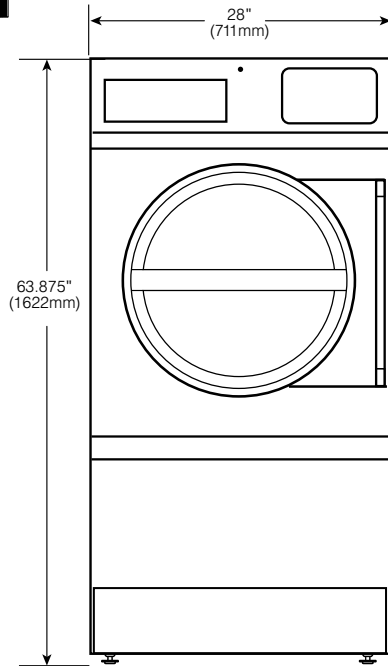
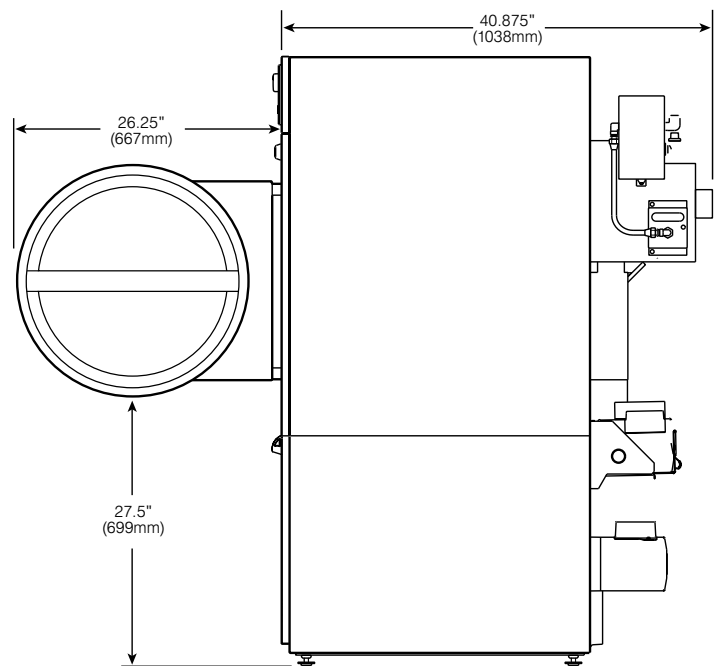


CG20-30

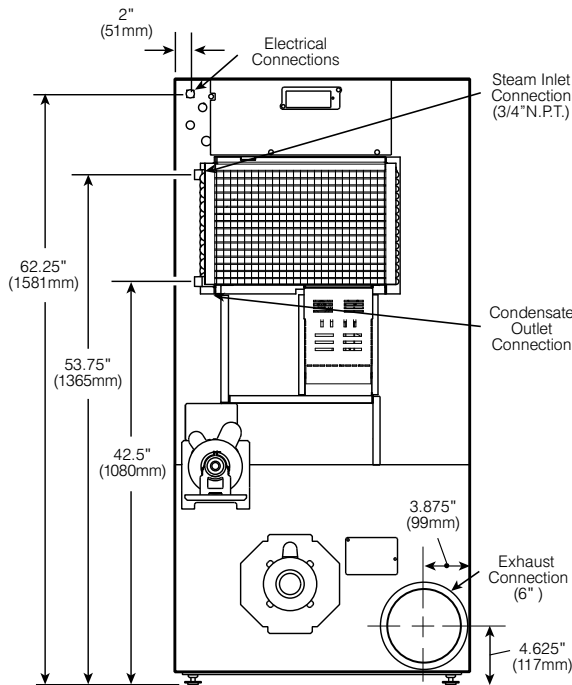
PRO-SERIES II DRYING TUMBLER



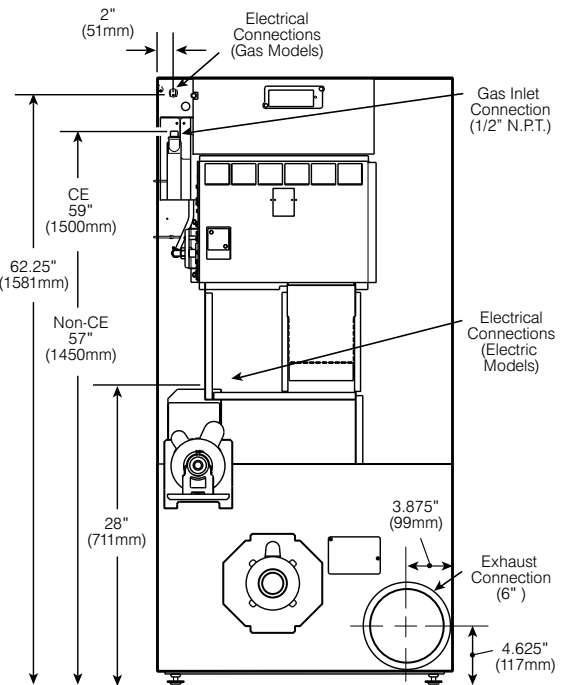
FRONT VIEW



SIDE VIEW



REAR VIEW (Steam Models)



REAR VIEW (Gas and Electric Models)

CG20-30 PRO-SERIES II DRYING TUMBLER PRODUCT SPECIFICATIONS

Capacity <i>lbs</i>	up to 30
Cylinder Diameter <i>inch (mm)</i>	26.5 (673)
Cylinder Depth <i>inch (mm)</i>	24 (610)
Cylinder Volume <i>cu ft (dm³)</i>	7.7 (0.22)
Net Weight <i>lbs (kg)</i>	300 (137)
Crated Weight* <i>lbs (kg)</i>	332 (151)
Machine Width <i>inch (mm)</i>	28 (711)
Machine Depth <i>inch (mm)</i>	40.87 (1038)
Machine Height** <i>inch (mm)</i>	63.87 (1622)
Door Opening <i>inch (mm)</i>	22.69 (576)
Floor to Door <i>inch (mm)</i>	27.5 (699)
Shipping Dimensions <i>inch (mm)</i> (WxDxH)	30 x 43 x 69 (762 x 1092 x 1753)
Motor Power <i>Hp (kW)</i>	2 @ 1/4 (2 @ 0.19)
Reversing Motor Power <i>Hp (kW)</i>	2 @ 1/4 (2 @ 0.19)
Exhaust Diameter <i>inch (mm)</i>	6 (152)
Exhaust Air Flow <i>cfm (l/s)</i>	500 (236)
Electric Heating <i>kW</i>	12
Gas Connection <i>inch</i>	1/2 N.P.T.
Gas Heating <i>BTU/h (Kcal/h)</i>	64,000 (16,128)
Steam Connection <i>inch</i>	3/4 N.P.T.
Steam Heating <i>BTU/h (kW)</i> at 100 PSI (6.9 bar)	134,700 (39.5)
BHP Consumption <i>BHP</i> at 100 PSI (6.9 bar)	3.9
Available Voltages/Wire Conductor/Amp (Rev Amp) Gas/Steam	120/60/1, 1W + N + G, 12 208-240/60/1, 2W + N + G, 6.7 200-208/240/60/3, 3W + G, 3.2 460-480/60/3, 3W + G, 1.6
Electric	200/60/1, 2W + G, 64 208/60/1, 2W + N + G, 64 240/60/1, 2W + N + G, 57 200-208/60/3, 3W + G, 37 240/60/3, 3W + G, 33 460-480/60/3, 3W + G, 16

* Crated weights for international shipping not listed. Contact Continental Girbau for details.

** Also available in optional heights of 72 1/4" (1835mm) and 76 1/4" (1937mm).

*** Specifications subject to change without notice or obligation. Call Continental Girbau, Inc for dimensions not shown or for clarification.